



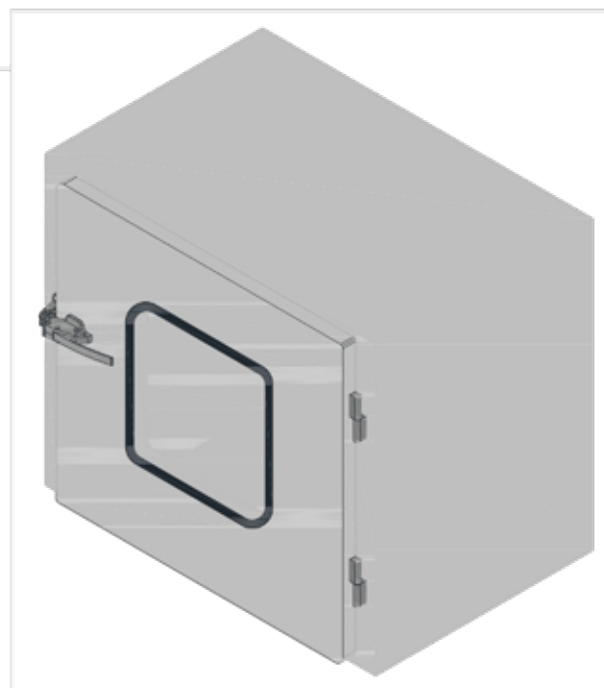
INDONESIAN AIR FILTER



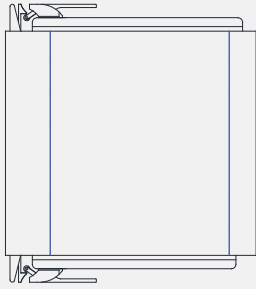
# Pass Box



## Product Introduction

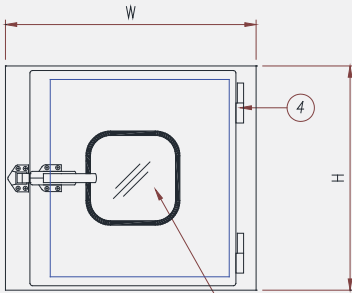


### Pass box

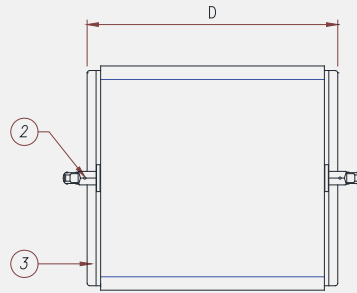


PLAN VIEW

NO	QTY	TITLE/NAME, MATERIAL, DIMENSION, ETC
1	2	WINDOWS GLASS, (300mm x 300mm)
2	2	HANDLE FOR OPEN/CLOSE DOOR
3	2	DOOR, FRAME STAINLESS STEEL
4	4	HINGE

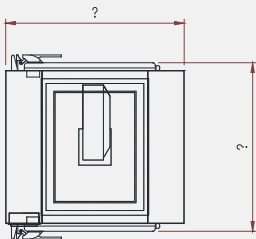


FRONT VIEW



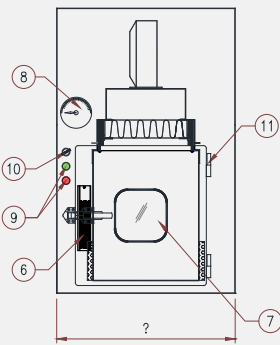
SIDE VIEW

### Pass box Shower

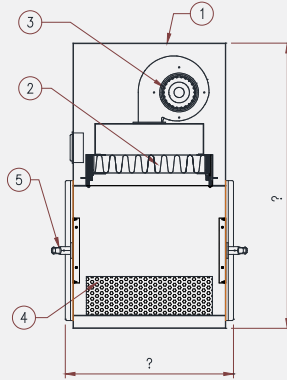


PLAN VIEW

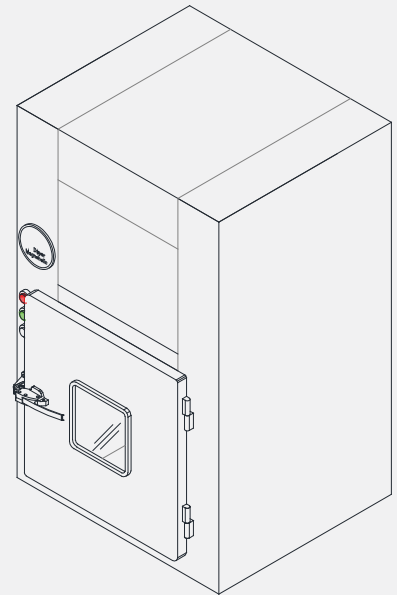
NO	QTY	TITLE/NAME, MATERIAL, DIMENSION, ETC
1	1 Set	CASING SS 304 Thk. 1.2mm HL
2	1 Pcs	HEPA FILTER H14
3	1 Pcs	BLOWER FAN
4	1 Pcs	PRE FILTER
5	2 Pcs	HANDLE
6	2 Pcs	MAGNETIC LOCK
7	2 Pcs	WINDOWS GLASS, 200mm x 200mm
8	1 Pcs	MAGNEHELIC
9	2 Pcs	INDICATOR LAMP (RED & GREEN)
10	1 Pcs	SELECTOR SWITCH
11	4 Pcs	HINGE



FRONT VIEW



SIDE VIEW



### Pass box

- Mechanical interlock system
- Electrical interlock system
- Customized sizes / Any size available
- Pass box shower with hepa & fan available